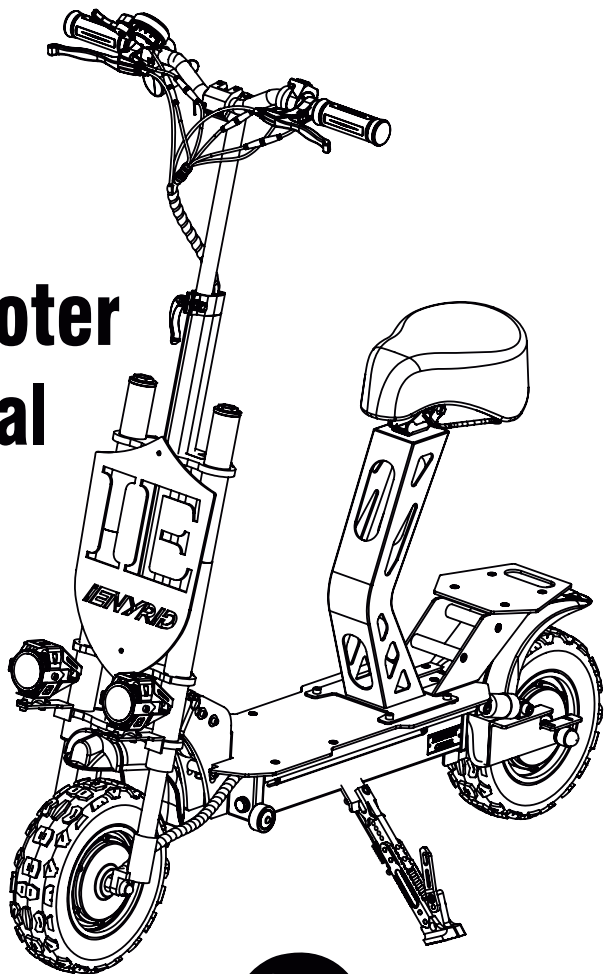


# ***IE NYRID***

## **Electric Scooter User Manual**

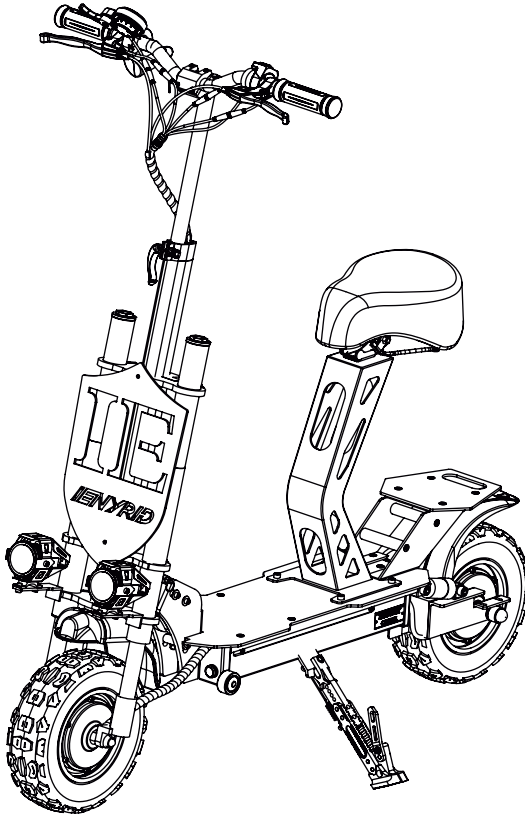


Thank you for your choice, please  
read this manual before using this product.

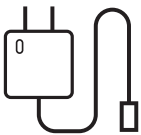
# Contents

1. Package Contents -----	01
2. Product Overview -----	02
3. Control Panel -----	03
4. Instrument usage -----	04-05
5. Riding Notice -----	06
6. Charging -----	06
7. First Ride -----	07
8. Riding Basics -----	08
9. Electric scooter folding -----	09
10. Daily Care and Maintenance -----	10
11. Specifications -----	11

# Package Contents



- When unboxing your ES20 electric scooter, please verify that the below items are included in the package. If anything is missing or damaged, please contact ienyrid customer service for support:
- Keep the package box to ship back the scooter when necessary.



1 x Charger



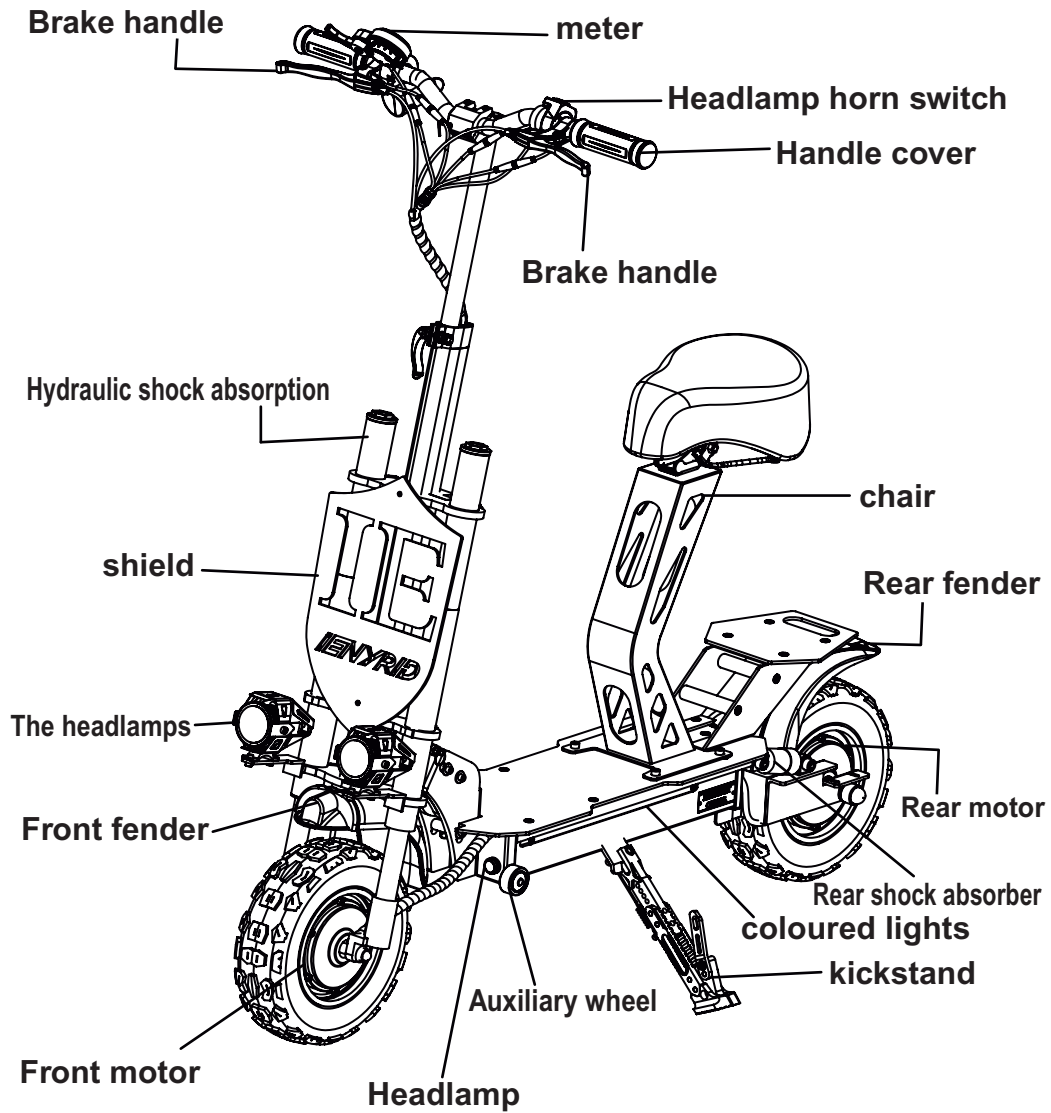
1 x Tool Kit



1 x Storage Bag

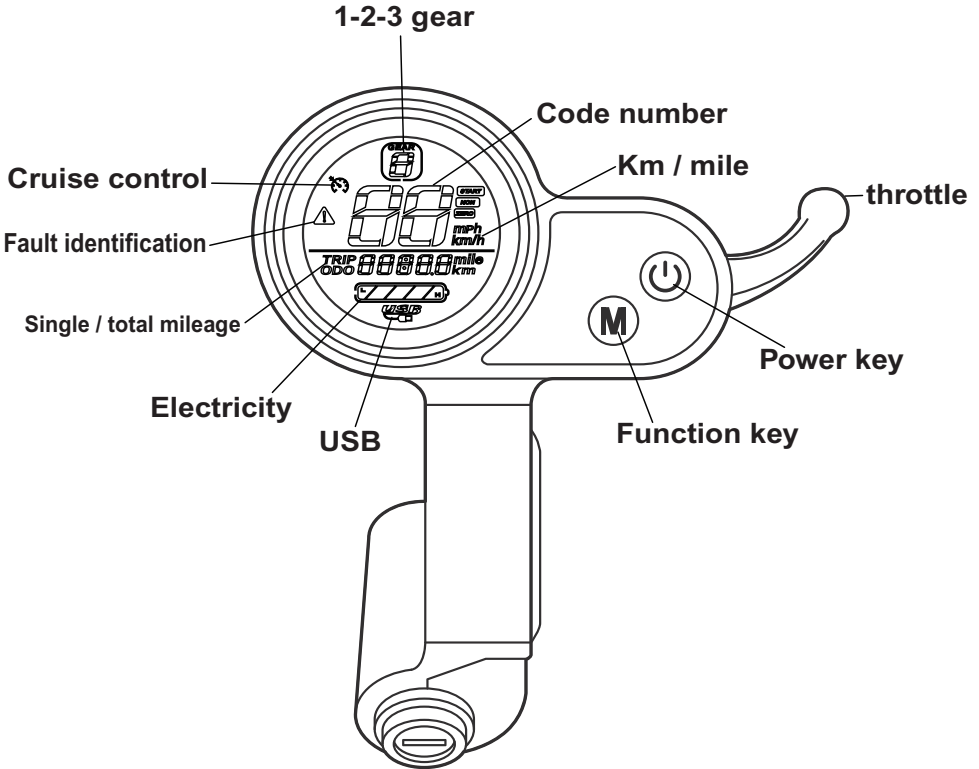


# Product Overview





# Control Panel



Error Code	Failure Description	Solution
E01	Motor Hall Wire Status	Replug the motor plug; Replace the motor
E02	Brake Failure	Replace the brake lever
E06	Undervoltage	Charge; Replace battery
E07	Motor Failure	Replug the motor plug; Replace the motor
E08	Handlebar Failure	Adjust the screw; Replace dashboard
E09	Controller Failure	Replug the controller, communication line plug; Replace the controller
E010	Receiving Delay	Replug the dashboard, controller, communication line plug; Replace the controller; Replace the dashboard
E011	Sending Failure	Sending Failure Replug the dashboard, controller, communication line plug; Replace the dashboard; Replace the controller

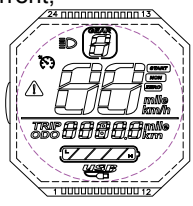
# Function:

## 1. Display function

Speed Display, Battery Indicator, Fault Indicator, Headlight Indicator, Cruise Indicator, Gear Indicator, Total Mileage, Single Mileage, Real-time Voltage, Operating Current, Operating Time, Start Mode

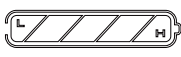
## 2. Communication Protocol: UART

3. All display will be displayed within 1S after power on



# Icon Display Introduction


## 1. Battery Bar



## 2. Multifunction Icon



Total Mileage ODO; Single Mileage TRIP; Real-time Voltage V; Running Current A; Running Time TIME; Fault Code E

3. When the symbol  is flashing, short press the ON/OFF button to adjust the display interface to Fault Code E interface.

The corresponding number represents different fault, the details are as follows:

- E01. Motor Hall Wire Status
- E02. Brake Failure
- E06. Undervoltage
- E07. Motor Failure
- E08. Handlebar Failure
- E09. Controller Failure
- E010. Receiving Delay
- E011. Sending Failure

## 4. Speed Icon

MPH, KM/H



## 5. Gear Icon

Short press the MODE button to switch the gears cyclically.

The higher the gear, the faster the speed. (The motor will not run at gear 0.)



## 6. Cruise Icon

After the motor is running, keep the speed for 5 seconds and then the cruise indicator lights up. After releasing the speed control handle, the motor keeps running at the original speed. When you brake or accelerate again, the cruise mode will end.

## 7. Start Method

Non-zero Start: NON indicator lights up

Zero Start: ZERO indicator lights up



## 8.USB Charging Icon



When USB is connected and generated exceed 100 mA current, the USB icon lights up.

The icon flashing indicates intermittent charging or the load current exceeds 500mA, at this time it will automatically turn on the protection mode.

## 9. Parameter Setting and Definition

P02: Mileage Unit, 0: Km; 1: Mile;

P04: Sleep Time, 0: no sleep; Other Numbers: sleep time; Range, 1-60 minute;

P09: Zero Start, Non-zero Start, 0: zero start; 1: non-zero start;

P16: Real-time Cruise: 1: with this function; 0: without this function;

P99: One-key Reset, (long press the MODE button for 5-6 seconds, all parameters are reset to the initial settings of the first start)

ODO: ODO Reset (short press the MODE button and then long press for 5-6 seconds until the number is zero)

## Brief Introduction Of Key Functions

2.1 Long press the power button to power on, and then short press the power button, the interface will switch between ODO, TRIP, V, A, E, TM.

2.2 Long press the power button to power off.

2.3 Long press the M button and the power button to enter the mode setting. In the setting interface, short press the power button to switch parameters.

Short press the M button to change the speed, the gear shifts from 0 to the highest gear cyclically. (The gears default to 3 gears, 0 gear motor will not run, 3 gears is highest speed.)

Parameter Modification:

Long press the power button and M button to enter the parameter setting, the same way to exit the parameter setting. The parameter modification will be completed after power off and restart.

2.4 Adjust the accelerator to speed up; Release it to return to the zero position.

2.5 The headlight switch button controls the headlights and rear taillights, long press the M button for 3 seconds to control the side lights of the pedal.



## Riding Notice

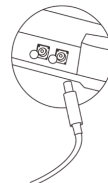
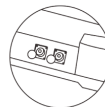
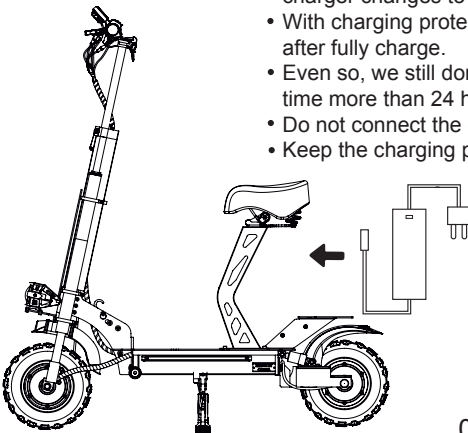
The electric scooter is a leisure device. But once they're in a public area, they'll be seen as vehicles, subjecting to any risks faced by vehicles. For your safety, please follow instructions in the manual and traffic laws and regulations set forth by government and regulatory agencies.

- At the same time, you should understand that risks cannot be entirely avoided as others may violate traffic regulations and drive incautiously, and you're exposed to road accidents just as when you're walking or biking. The faster the scooter is, the longer it takes to stop. On a smooth surface, the scooter may slip, lose balance, and even result in a fall. Thus it is crucial that you use caution, keep proper speed and distance, especially so when you're unfamiliar with the place.
- Respect pedestrians' Right of Way. Try not to startle them while driving, especially children. When you ride from behind pedestrians, ring your bell to give them a heads-up and slow your scooter to pass from their left (applicable to countries where vehicles drive on the right). When you ride across pedestrians, keep to the right at a low speed. When you drive across pedestrians, keep the lowest speed or getting off the vehicle.
- Closely follow the safety instructions in the manual. isinwheel shall not be liable for any financial losses, physical injuries, accidents, legal disputes and other interest conflicts resulted from actions that violate user instructions.
- Do not lend your scooter to whoever doesn't know the operations. And when you do lend it to your friends, please take the responsibility to ensure he/she knows the operation and wears the safety gear.
- Check the scooter before every use. When you note loosen parts, low battery alerts, excessive wear, strange sounds, malfunctions and other abnormal conditions, stop riding.
- WARNING – Risk of Fire – No User Serviceable Parts.



## Charging

- Your scooter will be fully charged when the LED indicator on the charger changes to green from red.
- With charging protection, it will cut off charging automatically after fully charge.
- Even so, we still don't recommend charging your scooter for a long time more than 24 hours at one time.
- Do not connect the charger if the charging port is wet.
- Keep the charging port closed when not charging.

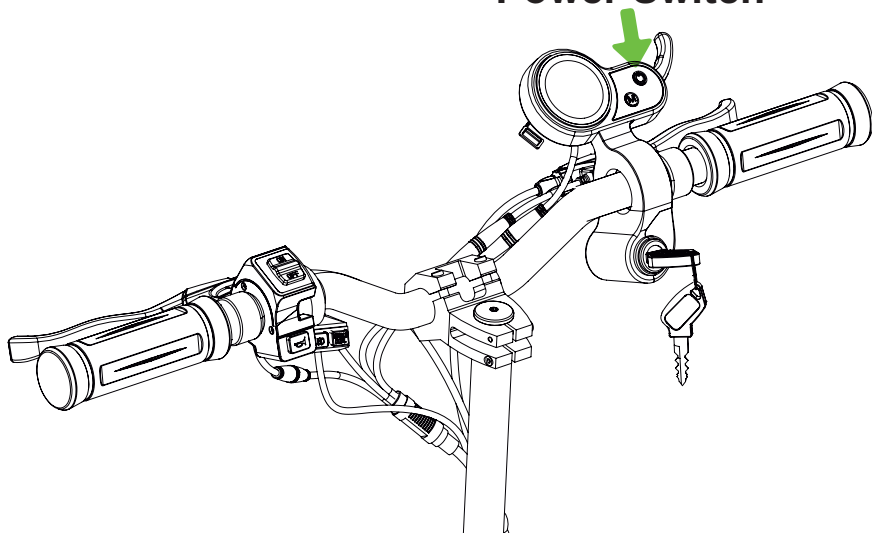






## First Ride

### Power Switch



1. Turn on the key, press the power switch for 1-3 seconds, and then release it. The LCD displays on - indicating that the electric scooter has been successfully opened.



2. After power on, press the headlamp button to turn on the headlamp, and push up the off / on button to turn on the side lamp, spotlight and rear tail lamp



3. Zero start: after power-on, press the accelerator and the motor of the scooter will rotate, and the scooter will go forward. (The throttle works even when the E-scooter is not in motion.)



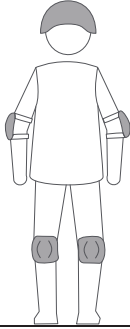
4. Non-zero/Kick-and-go start: With kick-and-go start mode on, scoot the E-scooter for the throttle to operate. Press the dual drive switch to switch between dual drive or single drive



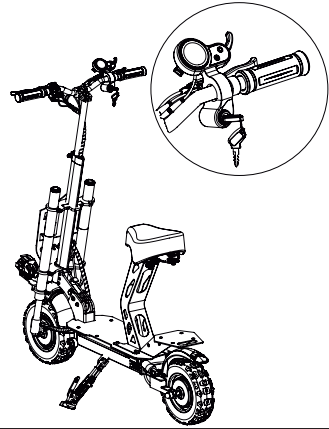
5. Riding mode: after power on, press M key to switch between 1 / 2 / 3 gears.



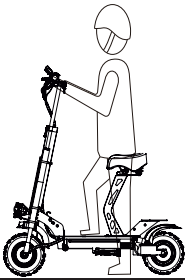
## Riding Basics



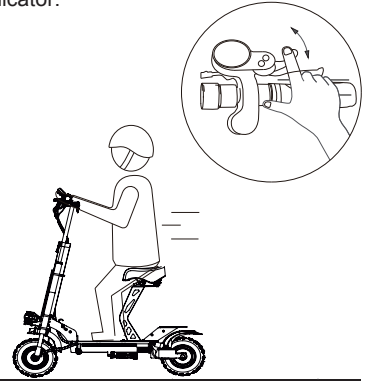
Warning: Wear a helmet, elbow pads and knee pads. Please read the instruction carefully before using. Do not touch the brake system. Refer to the instruction for more information



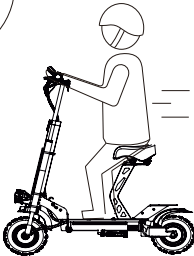
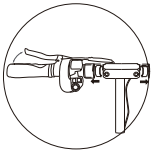
1. Turn the power on, and check the battery level indicator.



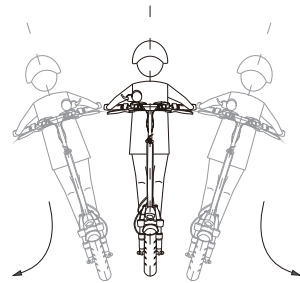
2. Stand with one foot on the deck and one foot on the ground. Scoot yourself with the foot on the ground.



3. When the scooter starts to move forward, put both feet on the deck and press the accelerator. (The accelerator initiates once the speed exceeds 3 mph.)

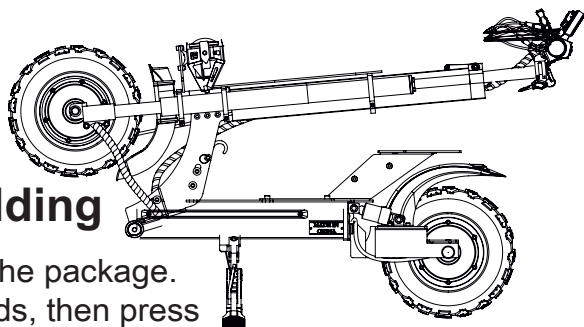


4. Release the accelerator and the kinetic energy recovery system (KERS) initiates automatically to brake slowly; And squeeze the brake lever for a sudden brake.



5. Tilt your body to the steering direction as you turn, and slowly turn the handlebar.

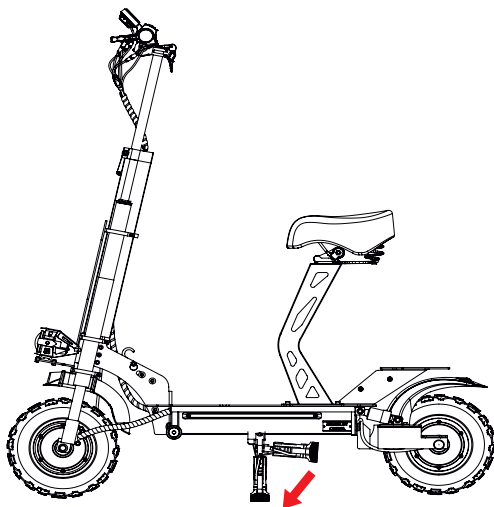
## Electric scooter folding



1. Take the scooter out of the package. Pull the red handle outwards, then press the handle down to lift the pole up. Then lift the red handle, pull the latch ring and press the handle to lock the latch.



2. After the scooter is unfolded, release the kickstand.





## Daily Care and Maintenance

### Cleaning and Storage

If you see stains on the scooter's body, wipe them off with a damp cloth. If you cannot scrub off the stain, put on some toothpaste, and brush them with a toothbrush, then wipe them off with a damp cloth.

Notes:

- Do not clean the scooter with alcohol, gasoline, kerosene, or other corrosive and volatile chemical solvents to prevent dire damage.
- Do not wash the deck with a high-pressure water spray. During cleaning, make sure that the scooter's turned off, the charging cable is unplugged, and the rubber flap is closed as water leakage may result in electric shock or other major problems. When the scooter is not in use, keep it indoors where it is dry and cool.
- Do not put it outdoors for a long time. Excessive sunlight, overheating, and over-cooling will shorten the battery pack's lifespan.

### Battery Maintenance

1. Use original battery packs. Use of batteries of other models or brands may bring about safety issues,
2. Do not touch the contacts. Do not dismantle or puncture the casing. Keep the contacts away from metal objects to prevent short circuit which may result in battery damage or even injuries and deaths,
3. Use original power adapter to avoid potential damage or fire,
4. Mishandling of used batteries may do tremendous harm to the environment. To protect natural environment, please follow local regulations to properly dispose used batteries.
5. After every use, fully charge the battery to prolong its lifespan.

### Storage and Disposal

1. Please try to store the scooter in a cool and dry place between 14 °F and 104 °F . In extremely humid environments the interior of the scooter may suffer condensation or even water accumulation, which may damage the battery rapidly. Devices are not intended for use at elevations greater than 2000 m above sea level. Prolonged Exposure to UV Rays, Rain and the Elements May Damage the Enclosure Materials, Store Indoors When Not in Use.
2. In daily use, try to recharge the scooter after completely exhausting the battery. If the battery level is low, charge it as soon as possible.
3. Please charge the scooter every other month to preserve the battery.



## Specifications

ES20	Item	Electric Scooter
Dimensions	Package size (L x W x H)	125*30*56cm
Weight	Net Weight	43.2 kg
	Load	150 kg
User	Recommended Age	14+
	Recommended Height	120~200cm
Scooter	maximum speed	55km/h
	Long Range	40-55 km
	Max. Slope	35%
	Operating Temperature	-15°C~40°C
Battery	Voltage	48 V
	Max.Charging Voltage	54.6 V
	Capacity	20 AH
Motor	Nominal Power	960 W
	Max Power	1200 W*2
Charger	Input Voltage	110-240 V
	Output Voltage	54.6 V
	Output Current	2A
	Charging Time	<u>5</u> 5-7 h

(1) The height of the body: Distance from the ground to the highest end of the body.

(2) Description of the battery life: It is measured under the condition of full charge, a load of 70KG, at 25°C, on a flat road without wind, and at a speed of 15KM/H. The real battery life will differ with different factors of the load, humidity, wind speed and operation habits.

(3) The maximum allowable weight shall be kept within 150KG (driver and objects included) in any case. Consider an extra weight of the clothes or other accessories with us during the trip and the gravity generated by speed, the scooter will not support it if this load limit is exceeded.