



NAVEE Electric Scooter
NAVEE Trotinette Électrique

SPU: ST5 Max US& ST5 Pro US

EN Important Information

FR-CA Informations importantes



2 Unpairing/Découplage

EN Turn the scooter on. Make sure the scooter is not locked or during charging, squeeze the brake lever and simultaneously press the accelerator 5 times, when the display is off, the scooter has been restored to factory settings, and the scooter cannot be searched for by the Find My app. If you need to pair again, delete the added scooter from the Find My app and then pair it again.

FR-CA Pour déappairer le scouteur, allumez-le et assurez-vous qu'il n'est pas en mode verrou électronique ni en charge. Serrez le frein et appuyez cinq fois de suite sur l'accélérateur. Si l'écran s'éteint, cela signifie que le scouteur a été réinitialisé aux paramètres d'usine et n'est plus apparié avec Localiser. Le scouteur ne peut plus être localisé via l'application Apple Localiser. Pour réappairier, vous devez supprimer les informations du scouteur dans l'application Apple Localiser, puis le réappairier.

3 How to Find the Serial Number/Comment Trouver le Numéro de Série

EN Press the accelerator and squeeze the brake lever 3 times to activate the scooter's serial number search function. The serial number will then be displayed in the Find My app (for iOS users who have paired the scooter using the Find My app).

FR-CA Pour les utilisateurs iOS qui ont apparié leur véhicule dans l'application Localiser d'Apple, appuyez à fond sur l'accélérateur et pressez trois fois le levier de frein pour activer la fonction de recherche du numéro de série du scooter. Le numéro de série s'affichera alors dans l'application Localiser d'Apple .

Legal notice/Avis Légal

EN Use of the Works with Apple badge means that a product has been designed to work specifically with the technology identified in the badge and has been certified by the product manufacturer to meet Apple Find My network product specifications and requirements. Apple is not responsible for the operation of this device or use of this product or its compliance with safety and regulatory standards.

FR-CA L'utilisation du badge 'Fonctionne avec Apple' signifie qu'un produit a été conçu pour fonctionner spécifiquement avec la technologie identifiée dans le badge et a été certifié par le fabricant pour répondre aux spécifications et exigences du produit du réseau Localiser d'Apple. Apple n'est pas responsable du fonctionnement de cet appareil ni de l'utilisation de ce produit ou de sa conformité aux normes de sécurité et réglementaires.

Apple, Apple Find My, Apple Watch, Find My, iPhone, iPad, iPadOS, Mac, macOS and watchOS are trademarks of Apple Inc. IOS is a trademark or registered trademark of Cisco in the U.S. and other countries and is used under license.

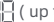
5. Speed Unit and Maximum Speed Setting/Réglage de l'unité de vitesse et de la vitesse maximale


Speed Unit Setting/Réglage de l'unité de vitesse

EN Press and hold the brake lever + power button for 7 seconds to enter the menu interface, then press the brake lever to navigate to the unit setting page. Press the power button to toggle between mph and km/h units, and press and hold the power button to confirm the settings and exit the setup.

FR-CA Appuyez simultanément sur le levier de frein et le bouton de l'alimentation pendant 7 secondes pour accéder à l'interface du menu, puis actionnez le levier de frein pour naviguer jusqu'à la page de réglage de l'unité de vitesse. Appuyez sur le bouton de l'alimentation pour basculer entre les unités mph et km/h, puis appuyez sur le bouton d'alimentation et maintenez-le enfoncé pour confirmer les réglages et quitter la configuration.

Maximum Speed Setting/Réglage de la vitesse maximale

EN Press and hold the brake lever + power button for 7 seconds to enter the menu interface, then press the brake lever to navigate to the maximum speed setting page. Press the power button to switch between speeds of 20 mph and  (up to 25 mph), and press and hold the power button to confirm the settings and exit the setup.

FR-CA Appuyez simultanément sur le levier de frein et le bouton de l'alimentation pendant 7 secondes pour accéder à l'interface du menu, puis appuyez sur le levier de frein pour naviguer jusqu'à la page de réglage de la vitesse maximale. Appuyez sur le bouton de l'alimentation pour basculer entre les vitesses de 20 mph et  (jusqu'à 25 mph), puis maintenez le bouton de l'alimentation enfoncé pour confirmer les réglages et quitter la configuration.

6. Starting & Accelerating & Decelerating & Braking/Démarrage et accélération et décélération et freinage

EN Before riding, please wear helmets, hand/wrist pads/knee pads, elbow pads, and other protective gear at all times.

FR-CA Avant de rouler, veuillez porter en permanence un casque, des protège-mains/poignets, des protège-genoux, des protège-coudes et d'autres équipements de protection.

EN Step on the deck with one foot, and slowly kicks off the other on the ground. When the scooter starts to coast, put both feet on the deck and gently press the accelerator. Note: This electric kick scooter is powered by an electric motor. For your riding safety, the motor will not start until the speed reaches 5 km/h.

FR-CA Posez un pied sur le plancher, et utilisez l'autre pied pour décoller doucement sur le sol. Lorsque le scooter commence à avancer en roue libre, posez les deux pieds sur le plancher et appuyez doucement l'accélérateur. Conseils : Ce scouteur électrique est motorisé par un moteur électrique. Pour votre propre sécurité, le moteur ne démarrera pas tant que la vitesse n'aura pas atteint 5 km/h.

7. Parking/Stationnement

EN When the scooter slows down or stops, put one foot on the ground to get off the scooter. Put down the kickstand when parking the scooter.
PARKING WARNING
• Do not park your kick scooter on a slope. • Make sure that the kickstand is positioned on a flat surface.

FR-CA Lorsque le scooter ralentit ou s'arrête, mettez un pied au sol pour descendre du scooter. Posez la béquille lorsque vous garez le scooter.
AVERTISSEMENT DE STATIONNEMENT
• Ne pas stationner votre scouteur sur une pente.
• S'assurer que la béquille est posée sur une surface plane.

NAVEE Electric Scooter NAVEE Trotinette Électrique

Quick Start Guide Guide de démarrage rapide

EN Release the accelerator to slow down, and press the brake lever to brake.

FR-CA Relâchez l'accélérateur pour ralentir, et appuyez sur le levier de frein pour freiner.

SPU: ST3 Pro & ST5 Max



How can we help?
Please reach out to Navee.
Comment pouvons-nous vous aider ?
Veuillez contacter Navee.
Call/Appel: +1 (888) 660-3483
Email/Courriel: service_us@navee.tech
After-sales website/Site web après-vente: service.naveetech.com



1. Assembly/Montage

EN Put down the kickstand, and hold up the stem until it is completely in an upright position. Then push the quick release lever inward to the end.

FR-CA Baissez la béquille et maintenez la potence jusqu'à ce qu'elle soit complètement entrée à une position droite. Puis poussez le levier de libération rapide à l'intérieur jusqu'à l'extrémité.

EN Install the handlebar onto the stem, and make sure to install the handlebar in the correct direction. Follow the number order as illustrated to pre-tighten the four screws with the included Allen key. Make sure the handlebar is correctly installed and then tighten the screws thoroughly.

FR-CA Installez le guidon sur la potence assurez-vous d'installer le guidon dans le sens approprié. Suivez l'ordre de numéro tel qu'illustré pour pré-serrer les quatre vis à l'aide de la clé Allen incluse. Assurez-vous que le guidon est correctement installé et serrez entièrement les vis.

* The illustrations in this QSG are for reference purposes only. The actual appearance shall be subject to actual product.
* Les illustrations dans ce QSG sont uniquement à des fins de référence. L'apparence réelle sera soumise au produit réel.

2. Charging/Recharge

EN The scooter is fully charged when the LED on the battery charger changes from red to green.
WARNING: Do not charge the non-rechargeable batteries. Use only with T2326-BD4A battery. Use only with FY-5461500 power supply unit. Charge your scooter indoors, and never expose it to rain. When the scooter is turned off for about a month with the battery level of the scooter being lower than 30%, the scooter will enter sleep mode. In this case, the scooter cannot be turned on. To exit the sleep mode, charge the scooter for about three seconds to activate the battery.

FR-CA La charge complète de la trottinette est indiquée par le passage du rouge au vert de la LED du chargeur de batterie.
AVERTISSEMENT : Ne chargez pas les batteries non rechargeables. Utilisez uniquement avec la batterie T2326-BD4A. Utilisez uniquement avec une unité d'alimentation FY-5461500. Chargez votre scooter à l'intérieur et ne jamais l'exposer à la pluie. Lorsque la trottinette est éteinte pendant environ un mois ayant le niveau de batterie étant inférieur à 30%, la trottinette entrera en mode veille. Dans ce cas, la trottinette ne peut pas être allumée. Pour quitter le mode veille, charger la trottinette pendant environ trois secondes pour activer la batterie.

3. Connect to the NAVEE App/Connexion avec l'appli NAVEE

1

EN Scan the QR code to download and Install the App, then you can register/login.

FR-CA Numériser le code QR pour télécharger et installer l'application, puis vous pourrez vous inscrire/vous connecter.

2

EN Power on the scooter; a blinking Bluetooth icon indicates the scooter is waiting to be connected.

FR-CA Allumez la trottinette, une icône Bluetooth clignotante indique que la trottinette est en attente de connexion.

3

EN Open the NAVEE app, click on [Link my device] and follow the instructions to link your scooter.

FR-CA Ouvrez l'application NAVEE, cliquez sur [Lier mon appareil] et suivez les instructions pour lier votre trottinette.

4. Apple's Find My network/Réseau « Localiser » d'Apple

1 Pairing/Couplage

EN Open the NAVEE APP and enable the Find My function. Press the power button to turn the scooter on. Squeeze the brake lever and simultaneously press the accelerator 3 times to enter the Find My pairing mode (you will hear a beep to go to the next step). Enable the "Find My" on your iPhone or iPad, then tap "+" and select "add another item", click "Connect" when the "NAVEE Electric Scooter" is searched. Follow the APP instructions to complete the settings, when you will hear a beep, it means that the scooter has been successfully paired.

Notes:

1. Please exit the NAVEE app before using Find My to find your scooter.
2. If the Bluetooth proximity unlock function is enabled, please also close it and check if the Bluetooth of your mobile phone is paired with the scooter, if it is paired, it is necessary to unpair. After completing the above steps, you can use the "Find My" function.

FR-CA Ouvrez l'application NAVEE et activez la fonction "Localiser". Pour jumeler votre trottinette électrique avec "Localiser", commencez par allumer la trottinette avec une courte pression sur le bouton d'alimentation. Ensuite, pressez le frein et appuyez trois fois de suite sur l'accélérateur pour entrer en mode jumelage "Localiser"; lorsque vous entendez un "bip", vous pouvez passer à l'étape suivante. Sur votre iPhone ou iPad, ouvrez l'application "Localiser", cliquez sur '+', puis sélectionnez "Ajouter un autre objet". Trouvez "Trottinette électrique NAVEE" dans la liste et choisissez "Connecter". Suivez les instructions dans l'application pour terminer la configuration. Un "bip" indiquera que le jumelage est réussi.

Remarques :

1. Avant de lancer l'application "Localiser", veuillez d'abord quitter l'application NAVEE, puis effectuer la recherche.
2. Avant de lancer l'application "Localiser", si la fonction de déverrouillage Bluetooth à proximité a été activée, veuillez d'abord désactiver cette fonction et vérifier si le Bluetooth du système mobile est jumelé avec la trottinette. Si c'est le cas, il est nécessaire d'effacer les informations de jumelage, de compléter les étapes ci-dessus, puis d'effectuer la recherche.



Scan the QR code to access electronic user manuals
Scannez le Code QR pour accéder au Manuel d'utilisation électronique

For more information & after-sales support, contact us via service_us@navee.tech/service.naveetech.com
Pour plus d'informations et de support après-vente, contactez-nous à service_us@navee.tech/service.naveetech.com

Original instructions
Traduction de la notice originale
4015050000671-NA

1. Safety Instructions

IMPORTANT SAFETY INSTRUCTIONS

When using an electrical appliance, basic precautions should always be followed, including the following:
READ ALL INSTRUCTIONS BEFORE USING (THIS APPLIANCE). Failure to follow the warnings and instructions may result in electric shock, fire and/or serious injury.

SAVE THESE INSTRUCTIONS

Prolonged Exposure to UV Rays, Rain and the Elements May Damage the Enclosure Materials, Store Indoors When Not in Use.

WARNING – To reduce the risk of injury, user must read instruction manual

- The scooter shall be used by one person only. Obligation to always wear shoes. Do not divert the use of the vehicle. This scooter is not intended for acrobatic use.
- The product is recommended for riders above age of 16 and below age of 50. People who are not suitable for riding this product include: (1) persons under the influence of alcohol or drugs, (2) persons unable to engage in strenuous physical activities due to health or physical conditions, (3) persons who are incapable of keeping their balance or who cannot keep their balance due to impaired motor skills, (4) persons whose size exceeds the weight limit, (5) women who are pregnant, (6) persons who suffer from visual and/or hearing impairments.
- Comply with local laws and regulations when riding this product. Do not ride where prohibited by local laws.
- When riding in countries and regions where there are no relevant national standards and regulations for electric scooters, please be sure to strictly abide by the safety requirements for drivers in this operation manual. SPACEWALKER PTE. LTD. will not bear any direct responsibility and joint and several liability for all property, personal losses, accidents, legal disputes, and all other adverse events that cause conflicts of interest caused by the use of behaviors in violation of the instructions for use.
- Do not ride in traffic lanes or residential areas where vehicles and pedestrians are both allowed. When passing through a place designated for pedestrians who are entitled to the right-of-way laws like crosswalk, please get off to walk along with the scooter.
- Do not choose places where children, pedestrians, pets, vehicles, bicycles or other obstacles and potential dangers may appear for your first ride.
- Required preparations for using this product include: ensuring the steering system is properly adjusted, that all connected accessories (such as the folding system) are properly tightened and undamaged, and that the brakes and wheels are in good condition.
- Perform a basic inspection of the electric scooter before each ride. If there are abnormal conditions such as loose parts, low battery alerts, flat tires or excessive wear of tires, strange sounds, malfunctions and other abnormal conditions, stop riding immediately and call for professional support.
- Take the time to learn the basics of the practice to avoid any serious accident that can take place in the first months. Information on practice and safe use (can be found on the website: www.naveetech.com)
- To ride safely, you must be able to clearly see what is in front of you and you must be clearly visible to others.
- Do not ride in bad weather, low visibility, or after intense physical exertion.

- Do turn on the headlight and slow down the speed when you ride at dark.
- Always park the scooter with kickstand on an even and stable surface.
- This electric scooter is a leisure device. However, when entering a public area, it will be considered a means of transportation and subject to possible safety risks for all means of transportation. Riding in strict accordance with the instructions in this manual will protect you and others to the greatest extent.
- The user should check the limits of use in accordance with the local regulations. Ride the scooter on the roads or areas permitted by local regulations and laws and park it in the areas permitted. The maximum speed of the scooter is limited to 20 mph (32 km/h). If the local regulations and laws have different provisions on the maximum speed, the local regulations and laws will prevail. Please respect and follow the road safety and vehicle rules.
- Respect pedestrians' Right of Way. Try not to startle them while driving, especially children. When you ride from behind pedestrians, ring your bell to give them a heads-up and slow your scooter down to pass from their left, and keep to the right at a low speed while riding across them (applicable to countries where vehicles drive on the right). When you drive across pedestrians, keep the lowest speed or getting off the vehicle.
- In any case, anticipate your trajectory and your speed while respecting the code of the road, the code of the sidewalk and the most vulnerable. Notify your presence when approaching a pedestrian or cyclist when you are not seen or heard. Cross the protected passages while walking. Cross the protected passages while walking. Avoid high traffic areas or overcrowded areas.
- Riding with high speed or a speed that is not appropriate or adequate for the situation (bad weather conditions, bad surface conditions, or the like) may lead into a potential loss of stability or loss of control. To reduce any risk, you must follow all instructions in this manual. Be careful when mounting and dismantling the product, it may fall and cause injury.
- Traffic in the city has many obstacles to cross such as curbs or steps. It is recommended to avoid obstacle jumps. It is important to anticipate and adapt your trajectory and speed to those of a pedestrian before crossing these obstacles. It is also recommended to get out of the vehicle when these obstacles become dangerous due to their shape, height or slippage.
- Do not lend your scooter to whoever does not know the operations. Before lending the electric scooter to others, please make sure that the rider has read this instruction manual and watched the instruction video, and understood the basic operation. Remind riders to wear safety protection correctly to ensure the safety of riders.
- Contact your seller for appropriate training organizations.
- In all cases, take care of yourself and others.
- Any load attached to the handlebar will affect the stability of the vehicle.
- Do not touch the brake system, it could cause injuries due to sharp edges. The brake may become hot in use. Do not touch after use.
- The A-weighted emission sound pressure level is less than 70 dB(A).
- For a better riding experience, it is recommended to carry out a regular maintenance of the product.
- Eliminate any sharp edges caused by use.
- Accessories and any additional items which are not approved by the manufacturer shall not be used.
- Regular maintenance of the vehicle is a factor of safety.
- The self-tightening nuts as well as the other self-tightening fastenings may lose their efficiency and that they may need to be retightened.

- Regularly check the tightening of the various bolted elements, in particular the wheel axles, the folding system, the steering system and the brake shaft.
- Do not make any modifications that are not noted in the instructions.
- Make sure the scooter is turned off when being transported and kept in its original packaging if possible.
- In order to avoid accidental injuries such as electric shock and fire caused by improper use, please read the instructions carefully before use, and keep them properly for future reference.
- Please use this product in accordance with the instructions in the User Manual. Users are responsible for any loss or damage arising from improper use of this product.
- Power-off the vehicle during charging, or into a certain nonoperational mode.
- Do not charge if the charge port or charge cable is wet. Read this manual carefully before charging.
- Do not charge the scooter at an ambient temperature above 40°C or below 0°C.
- The appliance is not intended for use at elevations greater than 2000 m above sea level.
- The braking distance will increase in wet condition.
- The external flexible cable or cord of this transformer (charger) cannot be replaced; if the cord is damaged, the transformer (charger) shall be scrapped.
- If the external flexible cable or cord of this transformer is damaged, it shall be replaced by the manufacturer or their service agent or a similarly qualified person in order to avoid a hazard.
- If the supply cord is damaged, it must be replaced by the manufacturer, its service agent or similarly qualified persons in order to avoid a hazard.
- This product contains batteries that can only be replaced by qualified technicians or after-sales service.
- This appliance contains batteries that are only replaceable by skilled persons.
- **WARNING!** For the purposes of recharging the battery, only use the detachable supply unit provided with this appliance. Do not use a battery charger from any other product. Keep a safe distance from the surrounding combustibles when charging, the vehicle must be placed in a well-ventilated area.
- **WARNING!** Do not use any third-party battery or battery charger. Use only with FY-5461500 supply unit.
- **WARNING!** Keep plastic covering away from children to avoid suffocation.
- **WARNING!** Never use the product close to a water source.
- **WARNING!** Stop using the product when damaged.
- **WARNING** – Risk of Fire and Electric Shock – No User Serviceable Parts.
- **WARNING !** As with any mechanical component, a vehicle is subject to high stresses and wear. The various materials and components may react differently to wear or fatigue. If the expected service life for a component has been exceeded, it may break suddenly, therefore risking causing injuries to the user. Cracks, scratches and discoloration in the areas subject to high stresses indicate that the component has exceeded its service life and please contact an authorized or a specialized repairer.

Environmental Instructions

The scooter contains a rechargeable lithium-ion battery pack, and improper disposal of these batteries will cause harm to the environment. Follow the steps below to remove the batteries before disposing of the scooter and discard the batteries properly:

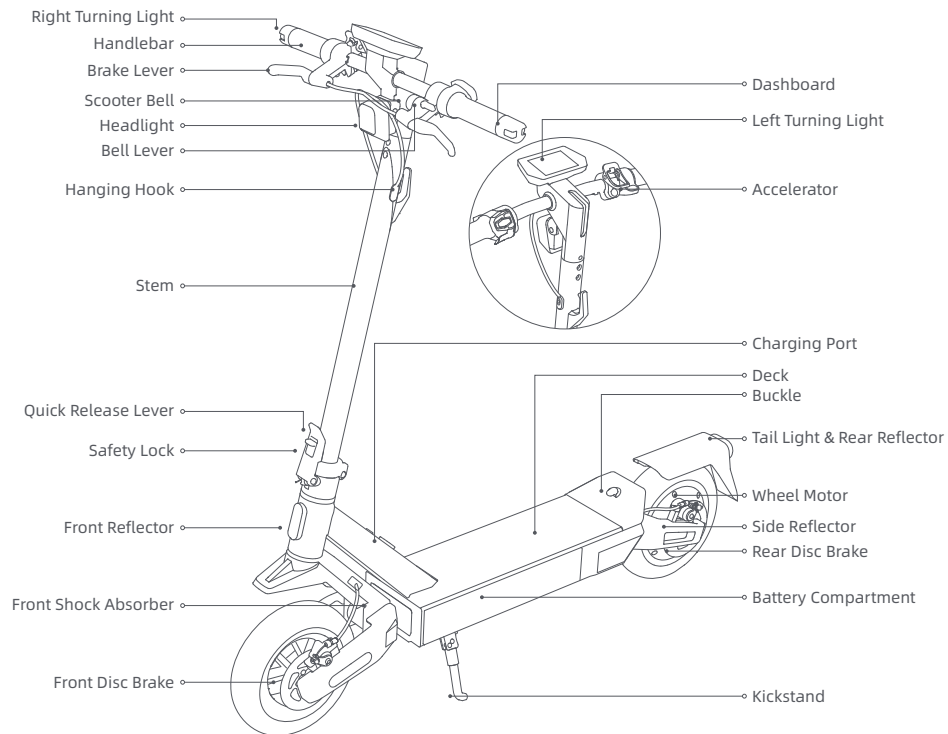
1. Before removing the batteries, it is recommended to fully deplete them and ensure that the scooter is disconnected from the power supply. Next, unscrew the bottom cover of the scooter to remove it, and remove the battery pack retaining bracket.
2. Unplug the battery connector, and then remove the batteries. Do not damage the battery case to avoid any risk of injuries. Do not use the battery if it is damaged, has a strange odor, emits smoke, or gets overheated. Keep a leaking battery away from other objects.
3. Discard the removed batteries at a professional recycling facility.

Watch out for hand crush and pinch points hazards in the following positions during use:

1. Between the handlebar and the stem when installing the handlebar.
2. Openings on the wheels.
3. Between the front mudguard and the deck.
4. Between the quick release lever and the safety lock, and between the folding joint and the stem when folding or unfolding.
5. Between the mudguards and the wheels.

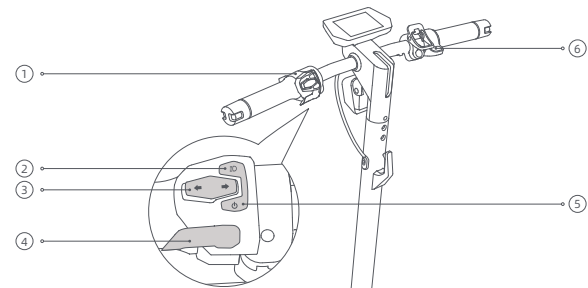
2. Product Overview

Electric Scooter



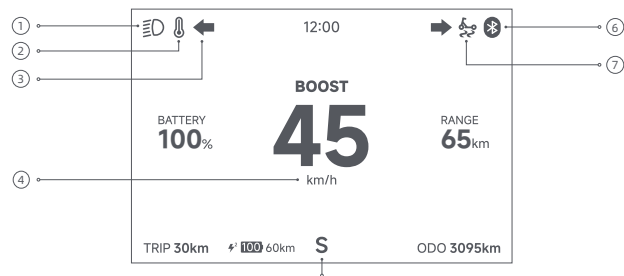
* The illustrations in this manual are for reference only, the actual appearance shall be subject to actual product.

Handlebar Button Function




- ① Bell: Press the bell lever to use bell.
- ② Light: When the scooter is on, press the button to turn on the headlight. Press again to turn it off.
- ③ Turning Indicator Button: Press the button to light up left/right signal, then the signal flashes, and press the button again to turn it off.
- ④ Boost Button: Press the button to activate the boost mode, on the scooter.
- ⑤ Power Button: Press the button to turn on the scooter. Press and hold to turn it off. After powering on, double press the button to switch the riding modes.
- ⑥ Accelerator: Press the accelerator to speed up, release slowly to speed down.

Dashboard



- ① Lights: While the scooter is on, press the power button ⑤ to turn the headlight and taillight on or off. You can also enable the Auto-Sensing Light feature via the NAVEE App. Once enabled, the headlight and taillight will automatically turn on or off based on ambient lighting conditions during your ride.

Note: After activating the auto-sensing light function, manually turning the lights on or off will temporarily disable it. To reactivate the feature, restart the scooter.

- ② Turning Indicator: When the scooter is powered on, press the left or right turn button. The corresponding turn signal and indicator on the dashboard will start blinking. The buzzer will sound at the same frequency. Press the same button again to turn off the turn signal.
- ③ Temperature Warning: The thermometer icon lights up when the battery temperature is too high or too low. Wait until the temperature returns to a normal range before using or charging the scooter.
- ④ Riding Modes:  indicates Walking Mode – maximum speed: 6 km/h. D indicates Standard Mode. S indicates Sport Mode.
- ⑤ Speedometer: Displays current riding speed. Shows error codes when a fault is detected, and battery level while charging.
- ⑥ TCS (Traction Control System): When enabled, the TCS function helps prevent excessive tire slippage and improves overall stability during actions like starting, accelerating, or turning. TCS can be switched on or off via the NAVEE App.
- ⑦ Bluetooth: The Bluetooth icon remains lit when the scooter is successfully connected to your mobile device. After connecting, you can enable the Proximity Unlock feature in the app. To lock the scooter, turn off the scooter, move your phone away—the motor will automatically lock. To unlock, turn the scooter back on, then squeeze either brake lever while your phone is nearby—the motor will unlock automatically.

3. Specifications

Product	Name		NAVEE Electric Scooter		
	Model		ST5 Pro US	ST5 Max US	
Dimensions	Vehicle: L x W x H ^[1]		1195 x 600 x 1280 mm		
	After Folding: L x W x H		1195 x 610 x 560 mm		
Net Weight	Vehicle Net Weight		23 kg	24 kg	
	Load Range		150 kg		
Rider	Age (years)		16-50 years		
	Body Length		120-200 cm		
Assembled Electric Scooter	Max. Speed		40 km/h		
	General Range ^[2]		75 km	85 km	
	Gear Range	D	xxx	xxx	
		S	xxx	xxx	
	Max. Climbing Angle		Approx. 24%	Approx. 28%	
	Suitable Surfaces				Cement or asphalt road, with benches of less than 1 cm or crevices narrower than 3 cm
	Operating Temperature				14-104 °F (-10 to 40 °C)
	Storage Temperature				-4-113 °F (-20 to 45 °C)
	IP Rating				IPX6
	Charging Time		Approx.7 h	Approx. 6 h	
Battery Pack	Model		T2441-BD4A		
	Nominal Voltage		54.6 V dc		
	Max. Charge Voltage		46.8 V dc		
	Rated Energy		477.36 Wh	596.7 Wh	
	Intelligent Battery Management System		Over-heating, short circuit, over-current, over-discharge, and over-charge protection		
	Normal Charging Temperature Range		32-104 ° F (0 to 40 °C)		
Wheel Motor	Rated Power		600 W		
	Model ^[3]		FY-5461500	FY1505462450	
Battery Charger	Output Power		100-240 VAC		
	Input		54.6 V dc, 1.5 A	54.6 V dc, 2.45 A	
	Rated Output		54.6 Vdc ; 1.5 A		
Tire	Front & Back Tires		10" Tubeless tires		
	Frequency Band		2402-2480MHz		
Bluetooth	Max. RF Power		ST5 Max US:BLE (1 Mbps): 7.22 dBm BLE (2 Mbps): 7.18 dBm, ST5 Pro US:BLE (1 Mbps): 7.36 dBm BLE (2 Mbps): 7.44 dBm		

[1] Vehicle height: From the ground to the top of the scooter.

[2] General range: Measured when there is no wind and at 77 ° F (25 ° C), the scooter is fully charged to ride at a constant speed of 9.3 mph (15 km/h) on a flat surface with a load of 165.3 lbs (75 kg).

[3] To recharge the battery, only use the battery charger provided in the package. Please see battery charger parameters in Specifications.

4. Certification

FCC Supplier's Declaration of Conformity

This supplier's declaration of conformity is hereby for

Product: Electric Scooter

Model Number(s): ST5 US/ST5 Pro US

Brand/Trade: NAVEE

We declare that the above mentioned device has been tested and found in compliance with CFR 47 Part Regulation.

Responsible Party—U.S.Contact Information

Company: SPACEWALKER PTE. LTD.

Address: 60 PAYA LEBAR ROAD #07-54 PAYA LEBAR SQUARE SINGAPORE (409051)

Country: Singapore

FCC Compliance Statement for USA

This device complies with part 15 of the FCC Rules. Operation is subject to the following two conditions:

1. This device may not cause harmful interference.
 2. This device must accept any interference received, including interference that may cause undesired operation.
- This equipment has been tested and found to comply with the limits for a Class B digital device, pursuant to part 15 of the FCC Rules. These limits are designed to provide reasonable protection against harmful interference in a residential installation. This equipment generates uses and can radiate radio frequency energy and, if not installed and used in accordance with the instructions, may cause harmful interference to radio communications. However, there is no guarantee that interference will not occur in a particular installation. If this equipment does cause harmful interference to radio or television reception, which can be determined by turning the equipment off and on, the user is encouraged to try to correct the interference by one or more of the following measures:
- Reorient or relocate the receiving antenna.
 - Increase the separation between the equipment and receiver.
 - Connect the equipment into an outlet on a circuit different from that to which the receiver is connected.
 - Consult the dealer or an experienced radio/TV technician for help.

FCC Note

Changes or modifications not expressly approved by the party responsible for compliance could void the user's authority to operate the equipment.

FCC Radiation Exposure Statement

The device has been evaluated to meet general RF exposure requirement.
The device can be used in portable exposure condition without restriction.

Industry Canada (IC) Compliance Statement for Canada

This device complies with Industry Canada license-exempt RSS standard (s). Operation is subject to the following two conditions: (1) this device may not cause interference, and (2) this device must accept any interference, including interference that may cause undesired operation of the device.

This product complies with the IC RF exposure limit set forth for an uncontrolled environment and is safe for intended operation as described in this manual.

Model: ST5 Pro US

FCC ID: 2BK3M-ST5PROU

IC: 33043-ST5PROU

Model: ST5 Max US

FCC ID: 2BK3M-ST5MAXU

IC: 33043-ST5MAXU

Safety Warning



Danger!
Read user manual before use.



WARNING
For indoor use only (for the charger).



WARNING
Read carefully and keep for future reference.



WARNING
Class II appliance



WARNING
Hot Surface



WARNING
Sharp Edges



Do not expose to moisture



The appliances intended for use at altitudes not exceeding 5000m.

≤5000m

Déclaration de conformité d'industrie Canada (IC) pour le Canada

Le present appareil est conforme aux CNR d'Industrie Canada applicables aux appareils radio exempts de licence.

L'exploitation est autorisée aux deux conditions suivantes : (1)

l'appareil ne doit pas produire de brouillage, et (2) l'utilisateur de l'appareil doit accepter tout brouillage radioélectrique subi, même si

le brouillage est susceptible d'en compromettre le fonctionnement.

L'appareil a été évalué comme répondant aux exigences générales d'exposition aux radiofréquences. L'appareil peut être utilisé dans des conditions d'exposition portable sans restriction.



Manufacturer's Limited Warranty Card

This is the manufacturer's limited warranty ("Limited Warranty") for all Navee Electric Scooters for consumers. This Limited Warranty describes the service available to you in the event your Product requires warranty service, and you may have additional protections under your local laws.

THIS WARRANTY GIVES YOU SPECIFIC LEGAL RIGHTS, AND YOU MAY ALSO HAVE RIGHTS WHICH VARY FROM COUNTRY TO COUNTRY AND STATE TO STATE.

This sheet and the original purchase receipt for the purchase of your Product are the documents defining the Limited Warranty. Please retain this document and the original purchase receipt to preserve your warranty service.

When purchasing the product, we recommend that you clearly fill in the following information and affix the sales seal to protect your legitimate rights and interests;

Product Purchase Information	Customer Name		E-mail	
	Contact Number		Purchase Channel	
	Product Model		Purchase Date	
	Product SN		Invoice Number	

Manufacturer's Limited Warranty Card

Contact Us

✉ Service Email: service@navee.tech
Service Telephone Toll Free: +1 (888) 660-3483

For more information about products and services, please visit the NAVEE official website:
<https://service.naveetech.com/> You can view product technical support videos and find local service center & detail warranty policy through the website.

During the after-sales service process, customers may need to provide this warranty card, proof of purchase and relevant information of the consignee. NAVEE will ensure that the relevant information provided by the customer is only used to provide services to the customer.



For more information & after-sales support,
contact us via service_us@navee.tech/service.naveetech.com

Pour plus d'informations et de support après-vente, contactez-nous à service_us@navee.tech/
service.naveetech.com

SPACEWALKER PTE. LTD.

Address/Adresse: 60 PAYA LEBAR ROAD #07-54 PAYA LEBAR SQUARE SINGAPORE (409051)

Made in China/Fabriqué en Chine



Original instructions
Traduction de la notice originale
4015050000673-NA